

Facility Supplies

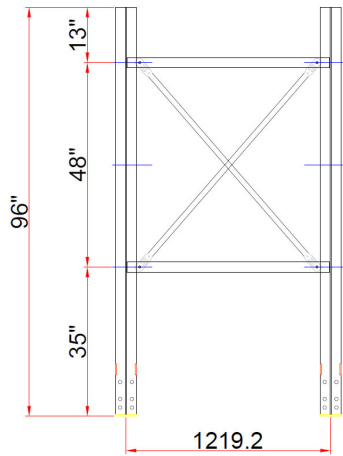
Cantilever Worksheet

Loading table for columns (LBS)

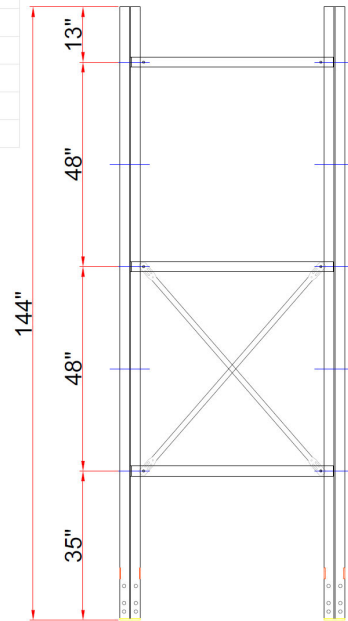
Column height	Arm length				
	36"	40"	48"	60"	72"
8'	14300	14300	14300	14300	13640
12'	12980	12980	12980	11880	9900
16'	12760	12760	11660	9460	7700
20'	12320	11660	9680	7700	6600

Loading table for arms (LBS)

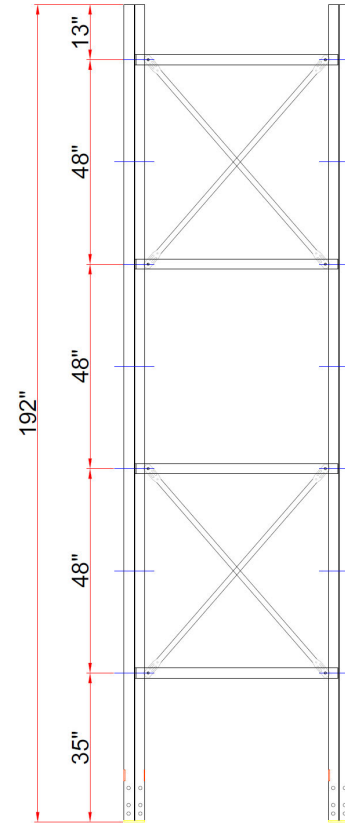
Arm Specs	Arm length			
	36"	40"	48"	60"
4"	3300	3300	2640	—
5"	3960	3960	3960	3260
5.5"	3960	3960	3960	3960



2H-1X



3H-1X



4H-2X